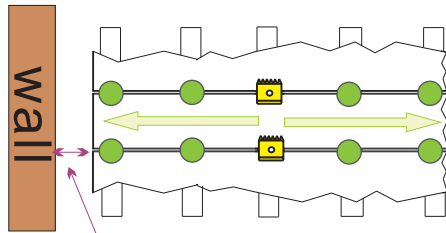
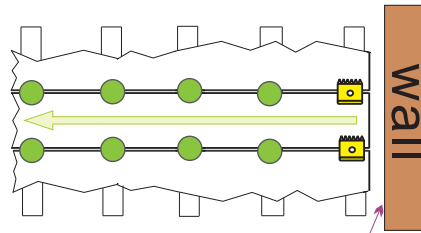


Parallel Layout

Situation 1:
Only one board
in a row

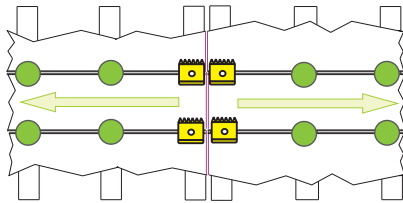


A CEC clip against wall:
min 2mm gap per 1m board

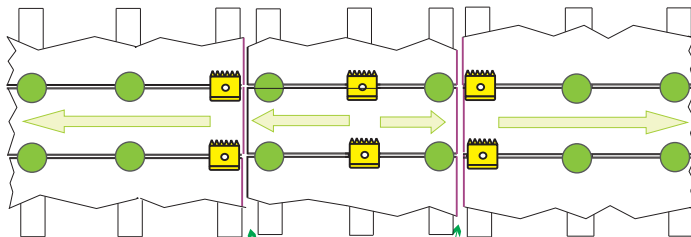


B Locking clip against wall:
no gap

Situation 2:
Two boards
in a row



Situation 3:
Three or more
boards in a row



in between middle board:
2mm gap on each side

A: If there is no wall on both sides or walls on both sides:
locking down in the middle.

Remember to leave minimum 2mm gap for every meter
of decking board, when CEC clip against wall.

B: If only one side has a wall: lock down closest to the wall.

Lock down where the two boards meet on butt joints

Lock down along the central line on the butt joints and the
neighbor boards at where they meet the middle board.

The middle board should be as short as possible and
no longer than 2 meters, and leave 2mm gap on each sides.

****Note: Always one Locking clip on one board.**



Locking Clip



CEC Clip (T Clip)



Direction of expansion
and contraction

Move



Lock

note the bite side
as the Lock side

Move

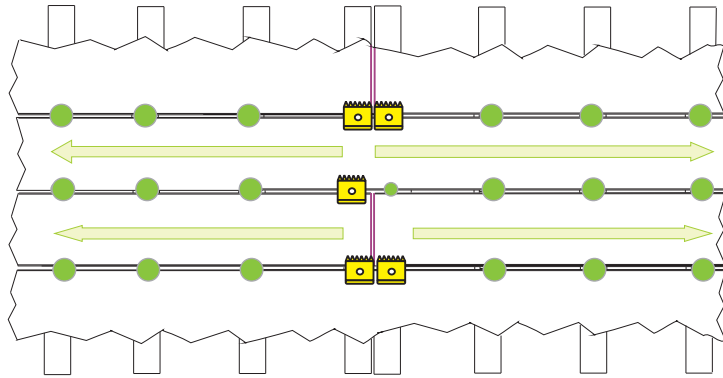


Lock

Brick Layout



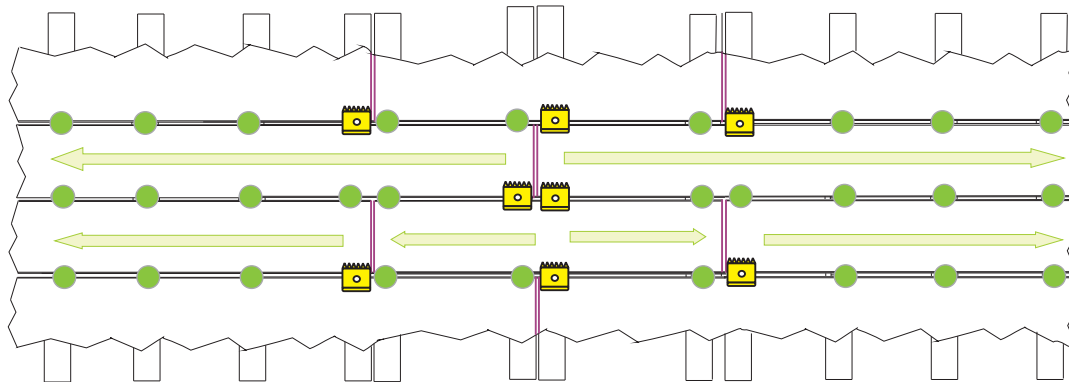
Situation 1:
2-1-2 Layout



Lock down along the central line on the butt joints.

Remember to leave minimum 2mm gap for every meter of decking board, when CEC clip against wall.

Situation 2:
3-2-3 Layout



The middle board should be as short as possible and no longer than 2 meters, and leave 2mm gap on each sides.

****Note: Always one Locking clip on one board.**

	Locking Clip		note the bite side as the Lock side
	CEC Clip (T Clip)		
	Direction of expansion and contraction		